

23700

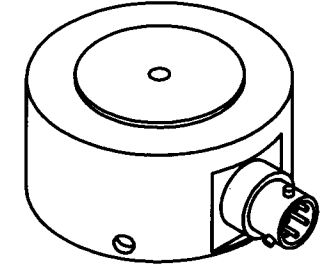
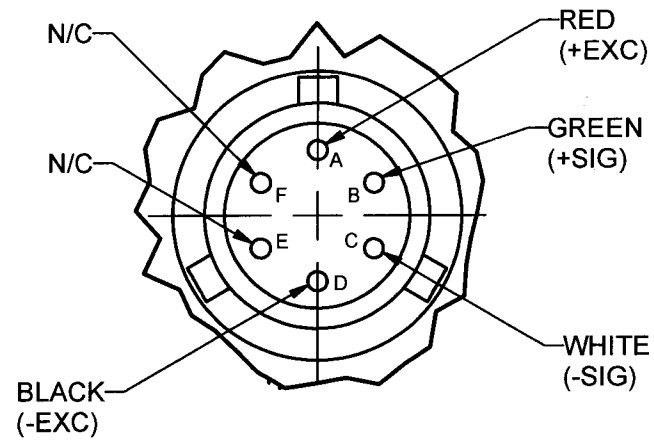
PCB Piezotronics Inc. claims proprietary rights in the information disclosed hereon. Neither it nor any reproduction thereof will be disclosed to others without the written consent of PCB Piezotronics Inc.

APPLICATION

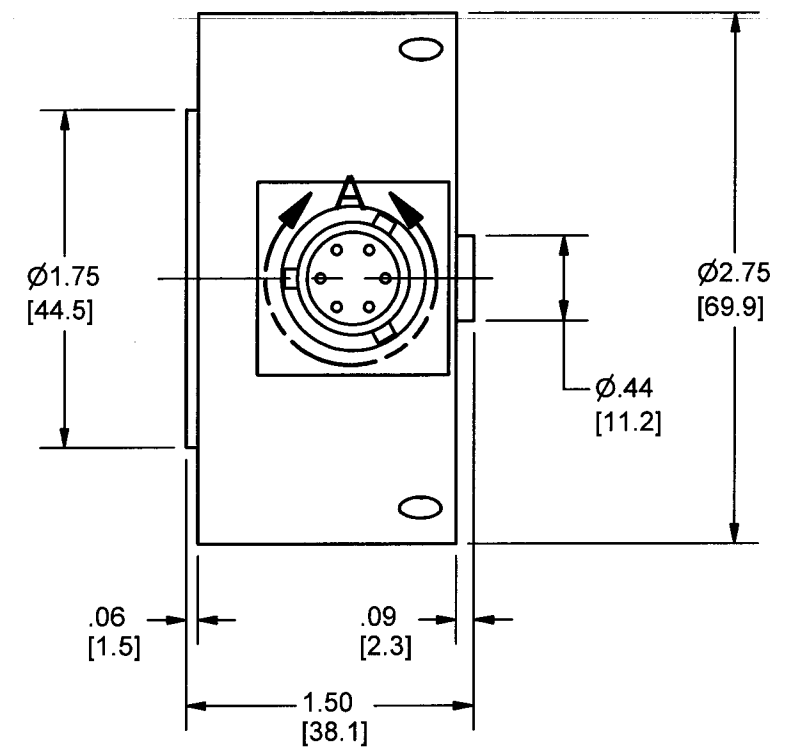
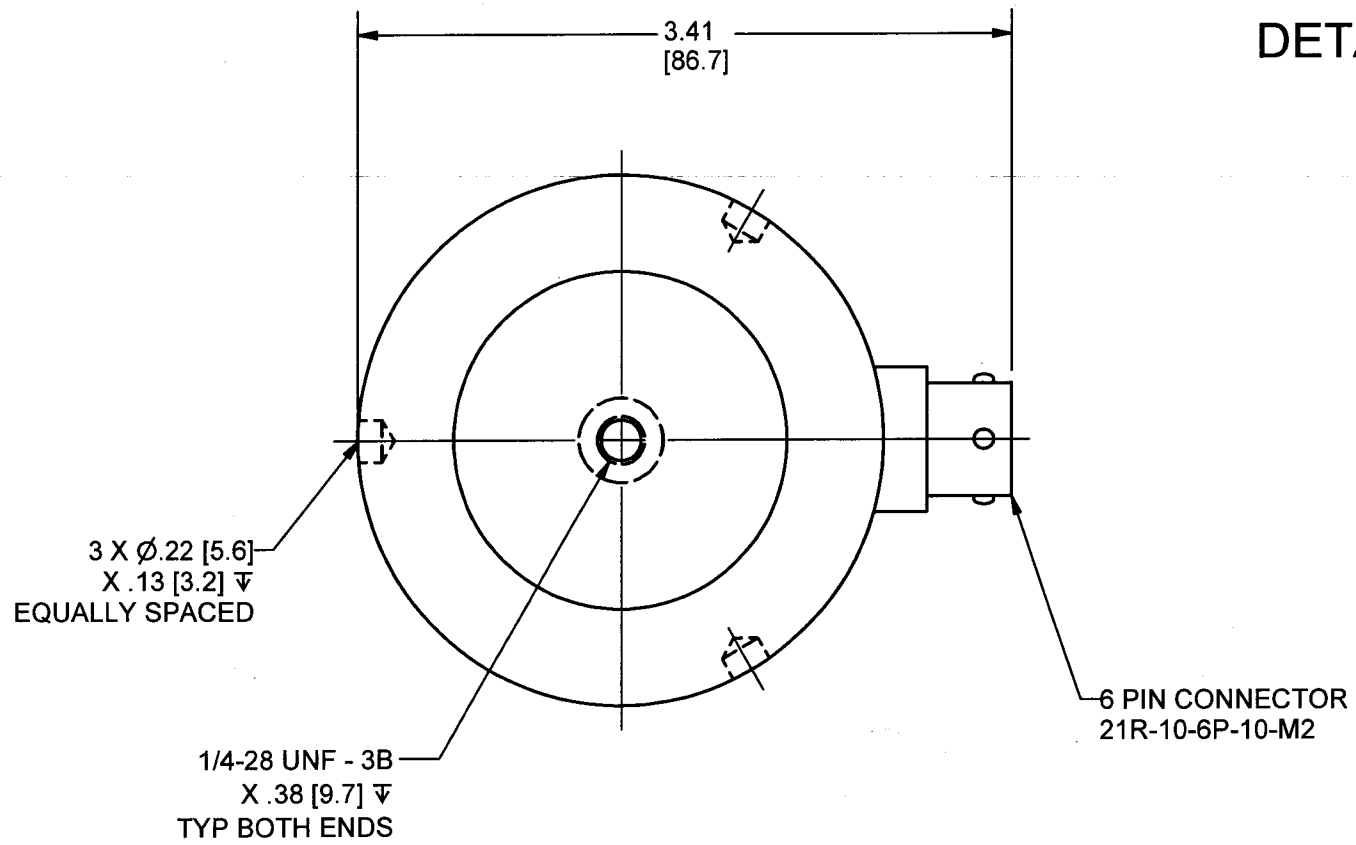
NEXT ASS'Y	USED ON	VAR

REVISIONS

REV	DESCRIPTION	ECN	APP'D
A	UPDATE CONNECTOR	18191	
B	REVISED PER ECN	19438	DM 3/04



DETAIL A



UNLESS OTHERWISE SPECIFIED TOLERANCES ARE:		DRAWN	CHK'D	APP'D	MFG	ENGR	SALES	PCB PIEZOTRONICS™	
DIMENSIONS IN INCHES	DIMENSIONS IN MILLIMETERS [ IN BRACKETS ]	RCG 3/11/04	DM 3/12/04	DM 3/19/04	US	m9k		3425 WALDEN AVE. DEPEW, NY 14043 (716) 684-0001 E-MAIL: sales@pcb.com	
DECIMALS XX ± .01 XXX ± .005	DECIMALS X ± 0.3 XX ± 0.13	TITLE		OUTLINE DRAWING 1102-01A, -02A, -03A, -04A, -05A LOAD CELL		CODE IDENT. NO. 52681	DWG. NO. 23700	SCALE: FULL SHEET 1 OF 1	
ANGLES ± 2 DEGREES	ANGLES ± 2 DEGREES	FILLETS AND RADII .003 - .005		FILLETS AND RADII [ 0.07 - 0.13 ]					