

22675

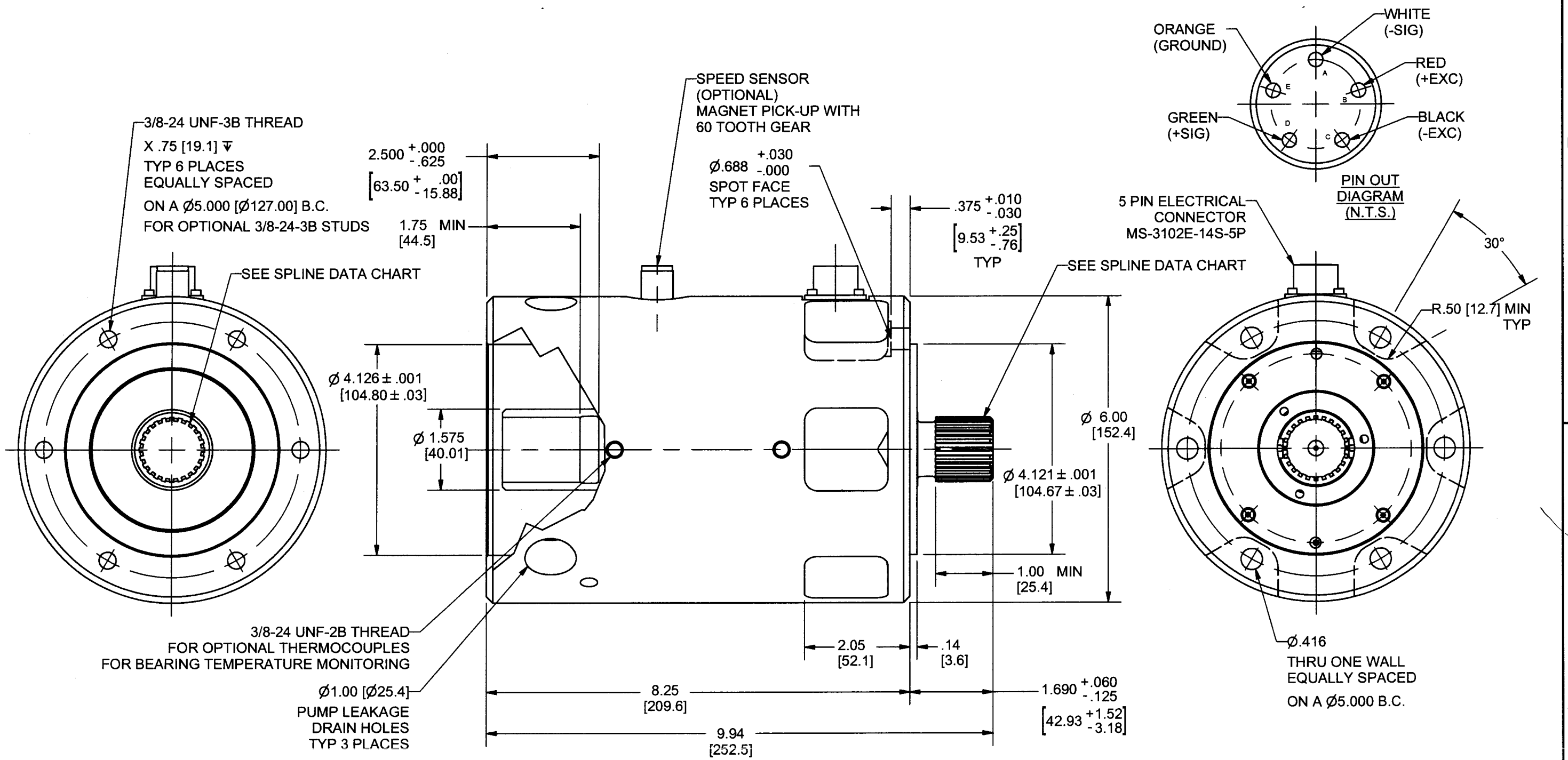
PCB Piezotronics Inc. claims proprietary rights in the information disclosed herein. Neither it nor any reproduction thereof will be disclosed to others without the written consent of PCB Piezotronics Inc.

APPLICATION

NEXT ASSY	USED ON	VAR

REVISIONS

REV	DESCRIPTION	ECN	APP'D
NR	RELEASED TO DRAFTING		DM4/a



INTERNAL AND EXTERNAL SPLINE DATA	
PRESSURE ANGLE	30°
PITCH DIAMETER	1.200
PITCH	20/30
NUMBER OF TEETH	24

UNLESS OTHERWISE SPECIFIED TOLERANCES ARE:	
DIMENSIONS IN INCHES	DIMENSIONS IN MILLIMETERS [IN BRACKETS]
DECIMALS XX ± .01 XXX ± .005	DECIMALS X ± 0.3 XX ± 0.13
ANGLES ± 2 DEGREES	ANGLES ± 2 DEGREES
FILLETS AND RADII .003 - .005	FILLETS AND RADII [0.07 - 0.13]

DRAWN	DM 4/23/03	MFG	JL 4/23/03
CHK'D	DM 4/23/03	ENGR	DM 4/23/03
APP'D	JAR 4/23/03	SALES	JM 4/23/03
TITLE			
OUTLINE DRAWING MODEL 4115K SERIES TORQUE SENSOR			

PCB PIEZOTRONICS
3425 WALDEN AVE. DEPEW, NY 14043
(716) 684-0001 E-MAIL: sales@pcb.com

CODE IDENT. NO. 52681	DWG. NO. 22675
SCALE: 1/2	SHEET 1 OF 1