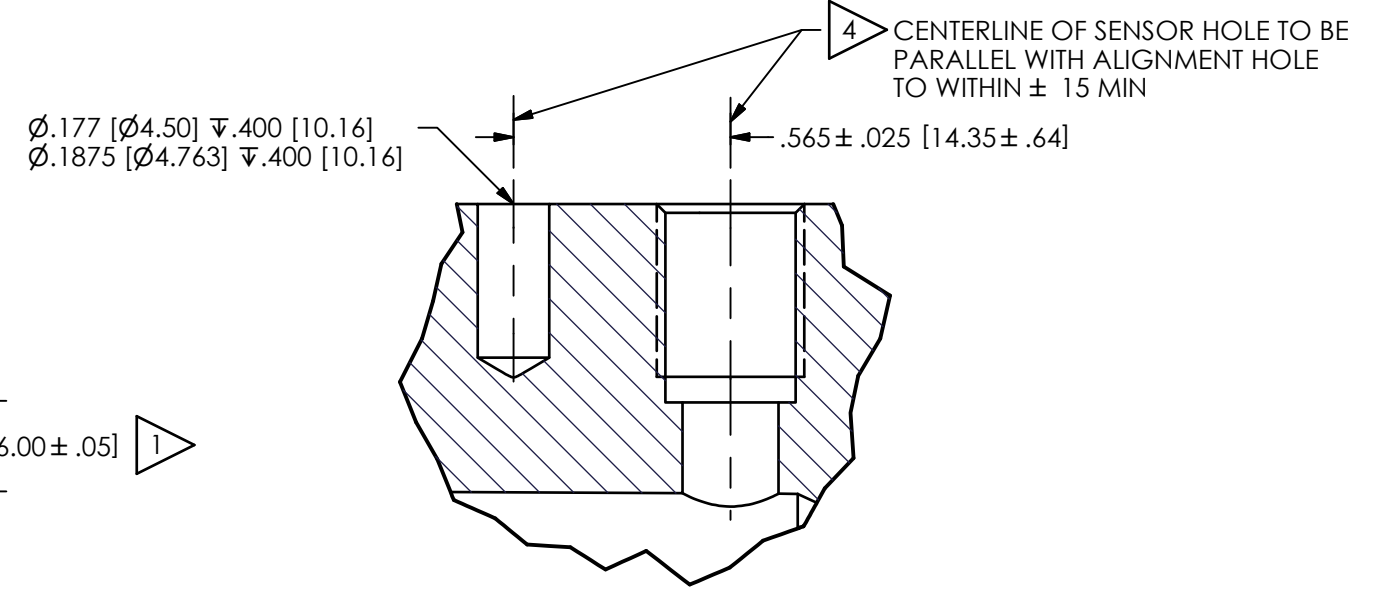
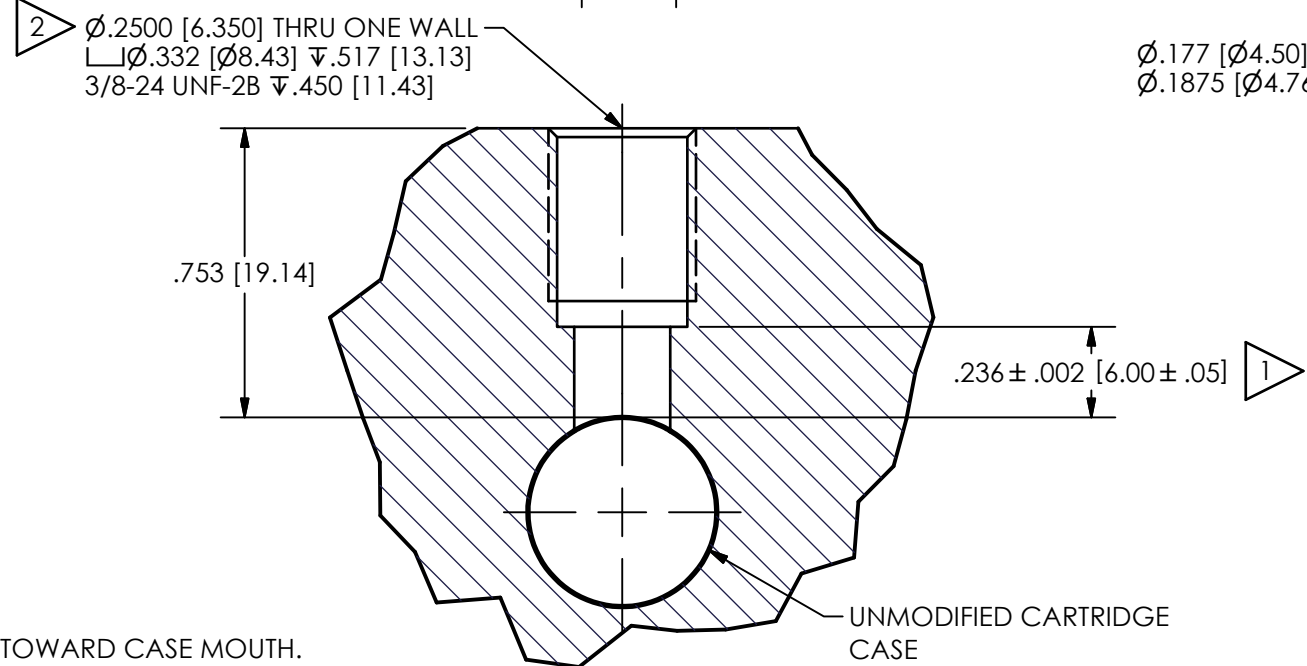
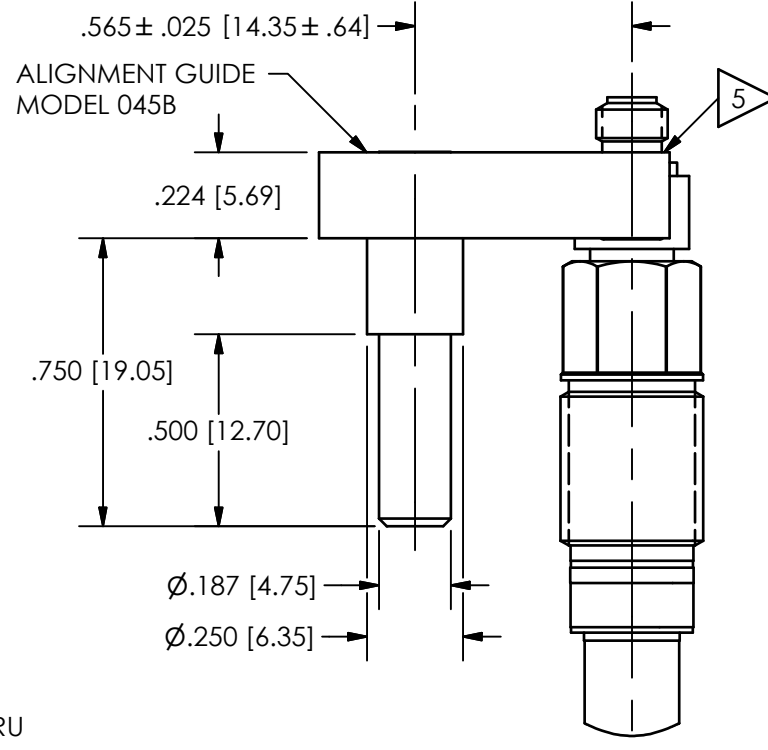
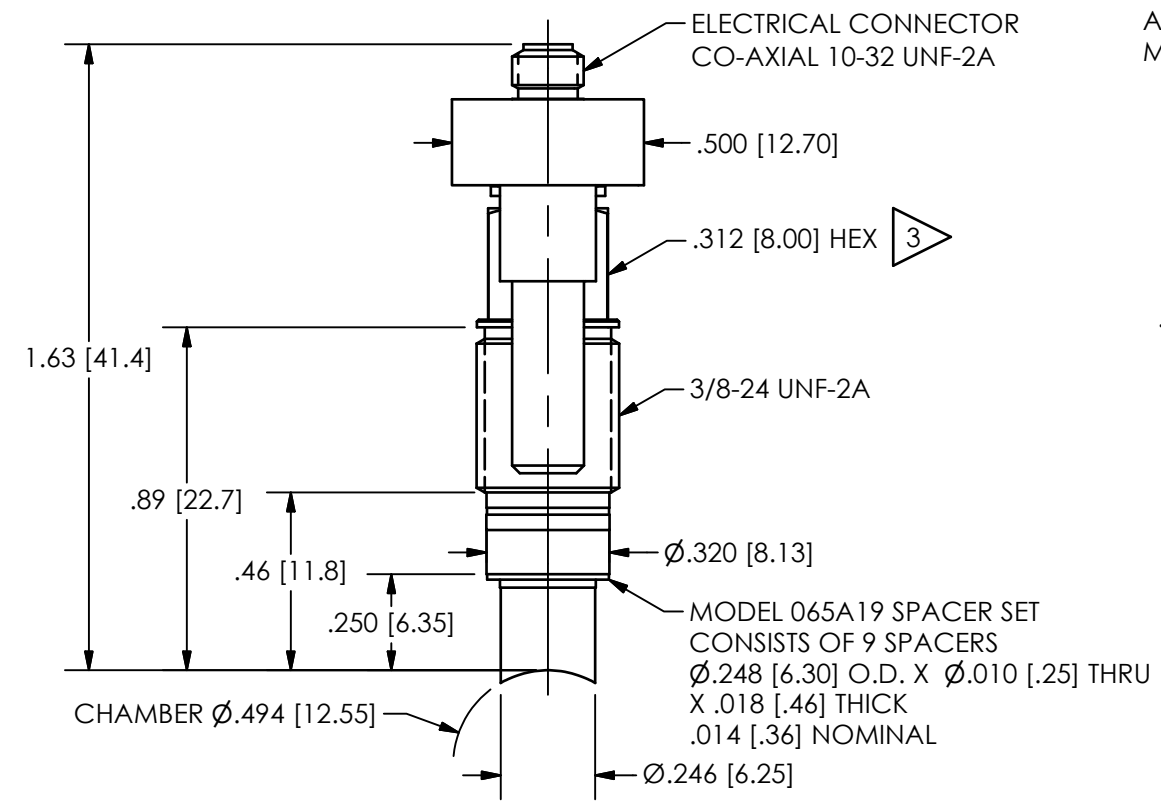


117-2220-90

PCB Piezotronics Inc. claims proprietary rights in the information disclosed hereon. Neither it nor any reproduction thereof will be disclosed to others without the written consent of PCB Piezotronics Inc.

REVISIONS		
REV	DESCRIPTION	DIN
C	UPDATED ALIGNMENT GUIDE	39992



- 5 LOCATE YELLOW DOT TOWARD CASE MOUTH.
- 4 ALIGNMENT HOLE MY BE LOCATED EITHER FOR OR AFT OF SENSOR MOUNTING HOLE.
- 3 MOUNTING TORQUE ON .312 [7.92] HEX: 5-10 FT LBS [6.8-13.6 NEWTON METERS].
- 2 CENTERLINE OF ϕ .2500 [6.350] HOLE MUST INTERSECT CENTERLINE OF CHAMBER BORE WITHIN .001 [.23].
- 1 HOLD THIS DIMENSION TO OBTAIN FLUSH MOUNT.

UNLESS OTHERWISE SPECIFIED TOLERANCES ARE:		DRAWN		CHECKED		ENGINEER	
DIMENSIONS IN INCHES	DIMENSIONS IN MILLIMETERS [IN BRACKETS]	JDM	11/17/14	JDM	11/17/14	SMB	11/17/14
DECIMALS XX ±.01 XXX ±.005	DECIMALS X ±.03 XX ±.013	TITLE					
ANGLES ± 2 DEGREES	ANGLES ± 2 DEGREES	INSTALLATION DRAWING MODEL 117B22 CONFORMAL BALLISTICS SENSOR					
FILLETS AND RADII .003 - .005	FILLETS AND RADII 0.07 - 0.13	CODE IDENT. NO. 52681		DWG. NO. 117-2220-90			
		SCALE: 2X		SHEET 1 OF 1			

PCB PIEZOTRONICS
 3425 WALDEN AVE. DEPEW, NY 14043
 (716) 684-0001 E-MAIL: sales@pcb.com