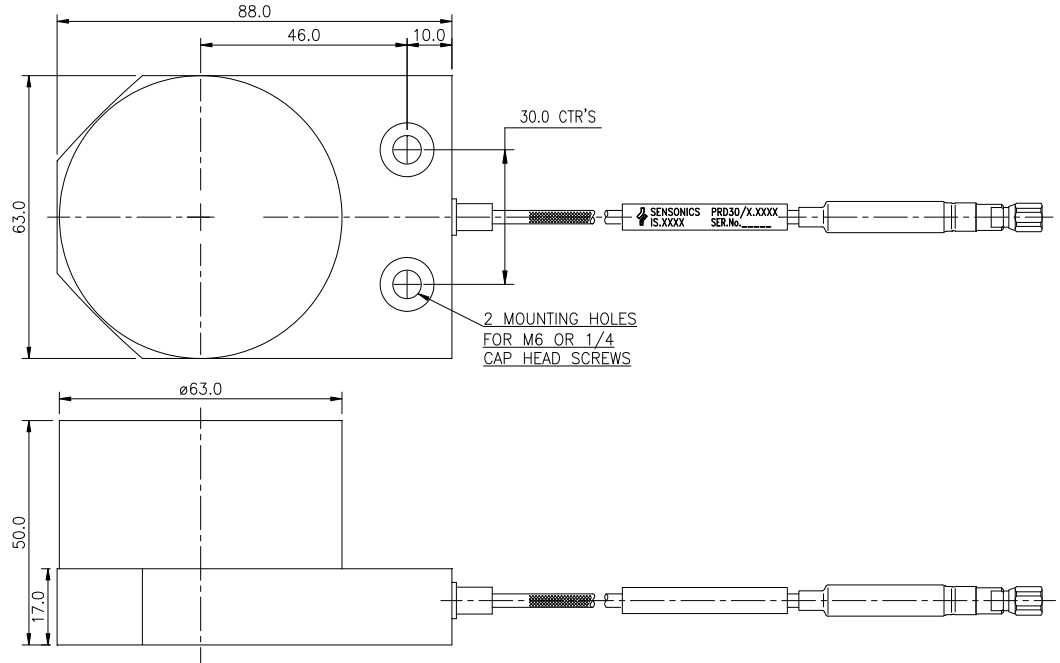


## SENTURION EDDY CURRENT PROBES



### DISC TYPE - PRD 30 - Ø60mm TIP



- 30mm measurement range
- Non contact measurement of static or dynamic surfaces
- Robust stainless steel case, with 2 mounting holes
- Peek encapsulated tip, impervious to oil or water ingress
- Range of standard bracketry available, for mounting
- Choice of cable lengths with or without armouring
- Connection directly to driver or via an extension cable
- Operating temperature range -30°C to +180°C

Sensonics range of **SENTURION** eddy current probes are designed to be the most robust and reliable units available, and are ideally suited to a vast range of industrial applications.

The **SENTURION** eddy current probes are intended for use within a system comprising of the probe, an extension cable (if required) and a driver unit. The probes are supplied in tuned lengths, and can be linked directly to the driver or via the afore mentioned extension cable. However the system is connected the total lengths must add up to 2, 5, 7 or 9 metres.

The disc type eddy current probes are ideal for use where space is at a premium, or if a side exit cable is advantageous for ease of installation.

Sensonics can supply a range of ancillary items such as brackets, housing for probes and drivers, glands, as well as offer advice on probe applications and mounting.

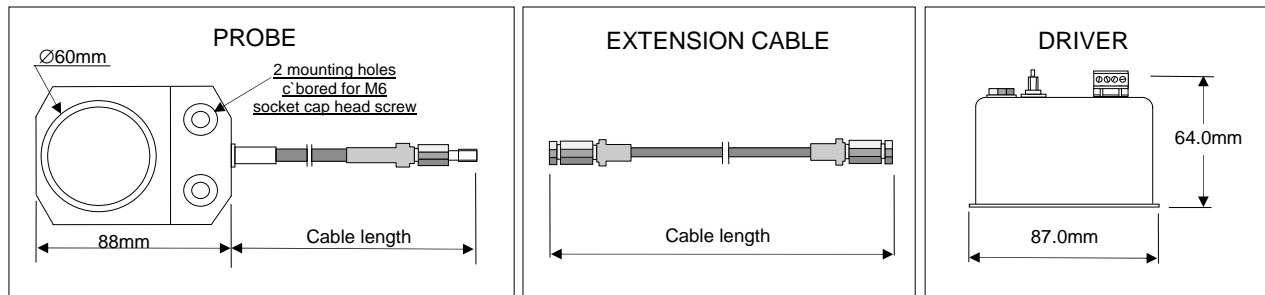
# SENTURION EDDY CURRENT PROBES

## DISC TYPE - PRD 30 – ø60mm TIP

### SPECIFICATION

Body material.....	Stainless steel
Tip material.....	PPS with stycast potting
Cable specification.....	RG179 PTFE insulated
Linear range - ± 1% of full scale.....	2 to 28mm
Linear range - ± 3% of full scale.....	2 to 30mm
Sensitivity.....	667µV/µm
Temperature sensitivity - Probe.....	Less than 5% at 120°C
- Driver.....	Less than 5% at 90°C
Output impedance.....	Less than 50Ω
Interchangeability.....	Less than 5%
Cal pot range.....	±5% or greater
Operating temperature - Probe.....	-30°C to +180°C
- Driver.....	-30°C to +90°C
Survival temperature.....	As operating temperature
Power supply.....	-24Vdc at 35mA nominal (stabilised)
Power supply tolerance.....	2% on sensitivity/volt down to -20 volts
Frequency range.....	.DC to 4khz
Resolution (restricted by noise, drift & stability).....	.0.012mm
Effect of target magnetism.....	.Less than 1% at 110mT

### ORDERING INFORMATION



**PRD 30 / 1.0 U 1**

Cable length

- 1.0 - 1m
- 2.0 - 2m
- 5.0 - 5m
- 7.0 - 7m
- 9.0 - 9m

Cable protection

- U - Unarmoured (standard)
- A - Armoured

Connector gender

- 0 - Female (for direct connection to driver)
- 1 - Male LEMO (for use with extension cable)
- 2 - Male SMC (for use with extension cable)

**EXC / 4.0 A**

Cable length

- 4.0 - 4m
- 6.0 - 6m
- 8.0 - 8m

Cable protection

- A - Armoured
- U - Unarmoured

**ECD 30 / 5 0**

Total system cable length

- 2 - 2m
- 5 - 5m
- 7 - 7m
- 9 - 9m

Mounting

- 0 - std plate
- 1 - 35mm DIN rail

**Note: Total system lengths must add up to 2, 5, 7 or 9m (2m systems cannot include extension cables). Probe system length may be up to 0.7m longer than stated.**

L169



**Sensonics Ltd**  
 Northbridge Road  
 Berkhamsted  
 Herts, HP4 1EF  
 United Kingdom  
 Tel: +44 (0)1442 876833  
 Fax: +44 (0)1442 876477  
[www.sensonics.co.uk](http://www.sensonics.co.uk)