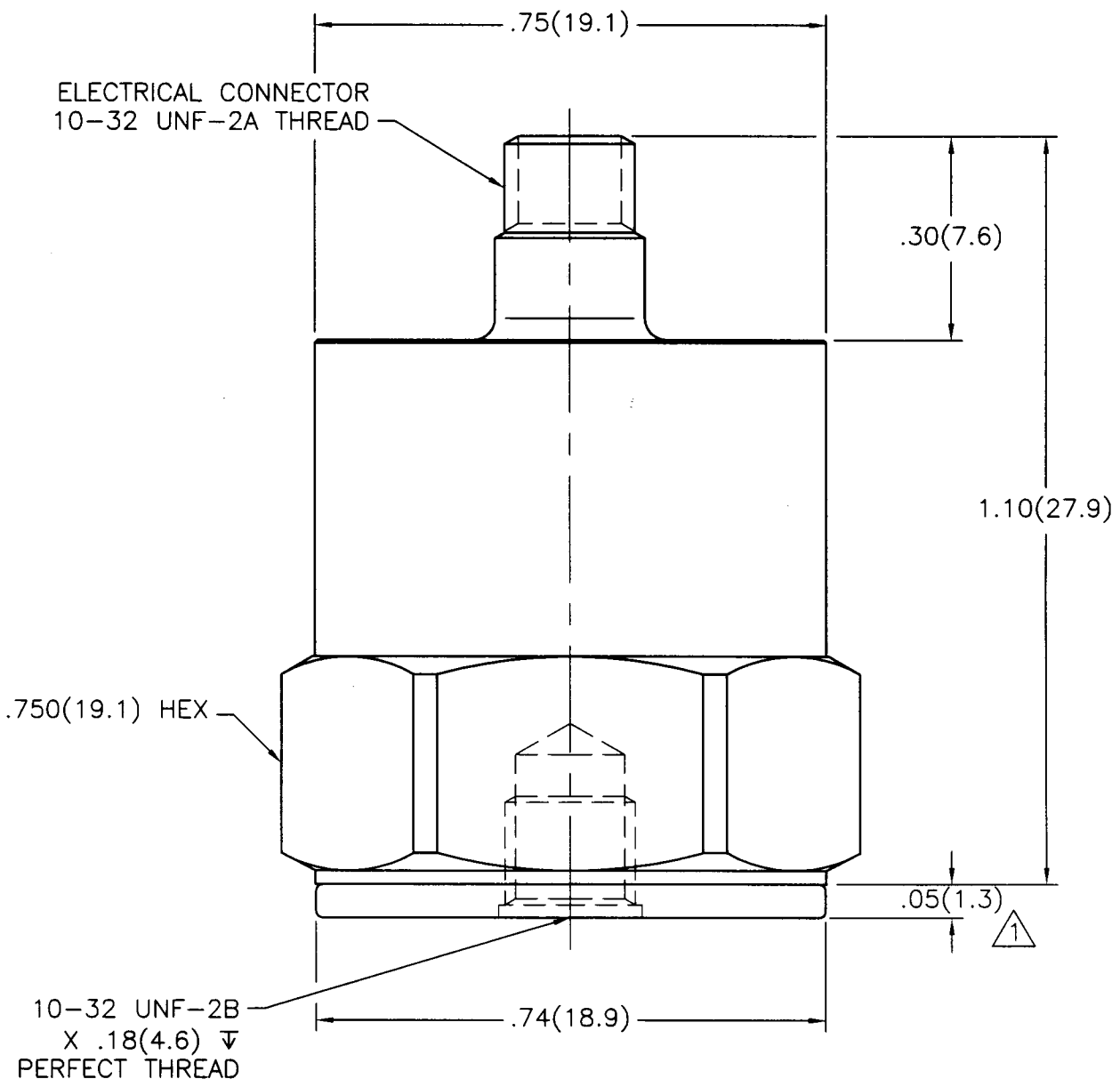


APPLICATION			REVISIONS				
NEXT ASS'Y	USED ON	VAR	REV	DESCRIPTION	ECN	DATE	APP'D

18863

PCB Piezotronics Inc. claims proprietary rights in the information disclosed herein. Neither it nor any reproduction thereof will be disclosed to others without written consent of PCB Piezotronics Inc.



△ ADD DIMENSION FOR SENSOR WITH GROUND ISOLATION OPTION.

UNLESS SPECIFIED TOLERANCES		DRAWN	<i>gms</i>	<i>3/19/02</i>	MFG	AL	<i>3/19/02</i>	 3425 WALDEN AVE. DEPEW, NY 14043 (716) 684-0001 EMAIL: SALES@PCB.COM
DIMENSIONS IN INCHES	DIMENSIONS IN MILLIMETERS (IN PARENTHESIS)	CHK'D	<i>DM</i>	<i>3/19/02</i>	ENGR	DJS	<i>3/19/02</i>	
DECIMALS XX ±.01	DECIMALS XX ±0.3	APP'D	<i>gms</i>	<i>3/19/02</i>	SALES	<i>wxc</i>	<i>3/19/02</i>	CODE IDENT. NO. 52681
XXX ±.005	XXX ±0.13	TITLE						OWG. NO. 18863
ANGLES ±2 DEGREES	ANGLES ±2 DEGREES	OUTLINE DRAWING						SCALE: 4X
FILLETS AND RADII .003 - .005	FILLETS AND RADII (0.07 - 0.13)	MODEL 352B SERIES						
DD011 REV. B 03/13/98		ACCELEROMETER						