

PCB Piezotronics Inc. claims proprietary rights in the information disclosed hereon. Neither it nor any reproduction thereof will be disclosed to others without the written consent of PCB Piezotronics Inc.

40201

RELATED DRAWING

NO MODIFICATIONS PERMITTED WITHOUT THE APPROVAL OF THE AUTHORIZED PERSON

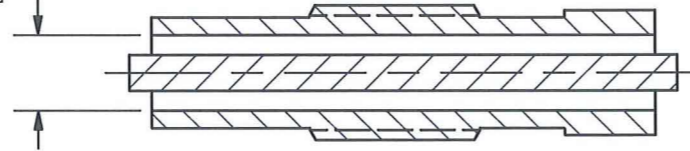
REVISIONS

REV	DESCRIPTION	DIN
D	ADDED CABLE DIA DIMENSION	41575

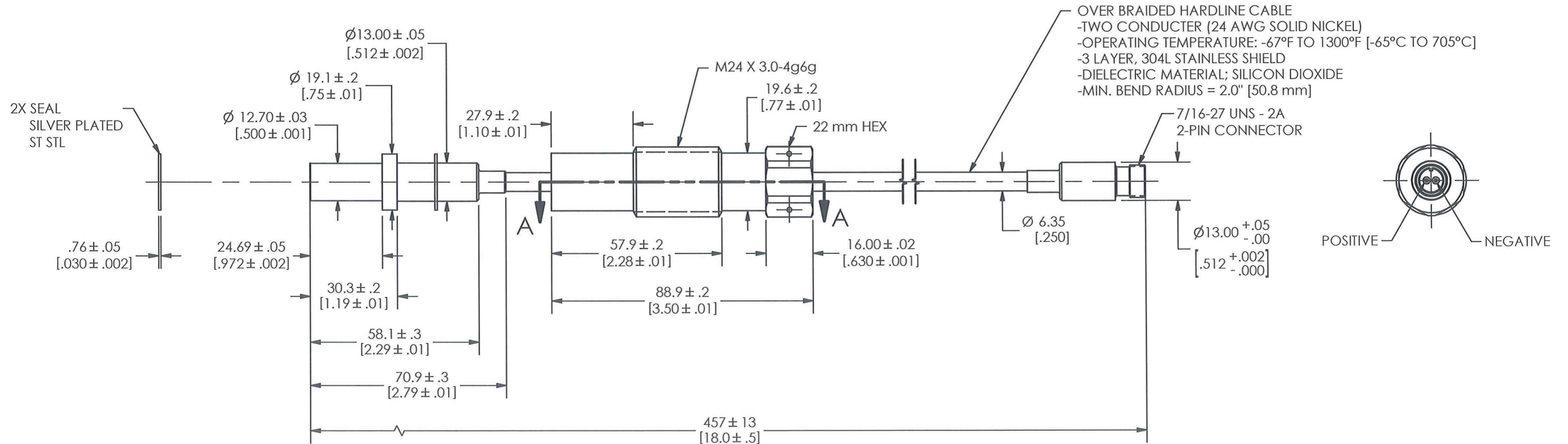
CUSTOMER APPROVAL

Approval *PR*
 CUSTOMER SIGNATURE
DPC 5/29/13
 PRINT YOUR NAME HERE
 TITLE _____ DATE _____

Ø13.31 ± .05
 [.524 ± .002]



SECTION A-A



1.) MOUNTING TORQUE : 20 - 27 Nm [15 - 20 LBF-FT]

UNLESS OTHERWISE SPECIFIED TOLERANCES ARE:		DRAWN	CHECKED	ENGINEER	 3425 WALDEN AVE. DEPEW, NY 14043 (716) 684-0001 E-MAIL: sales@pcb.com
DIMENSIONS IN INCHES	DIMENSIONS IN MILLIMETERS [IN BRACKETS]	JDM	6/3/13	RF	
DECIMALS XX ±.03 XXX ±.010	DECIMALS X ± 0.8 XX ± 0.25	TITLE		OUTLINE DRAWING MODEL 176M09 PRESSURE SENSOR	
ANGLES ± 2 DEGREES	ANGLES ± 2 DEGREES	CODE IDENT. NO. 52681		DWG. NO. 40201	
FILLETS AND RADII .003 - .005	FILLETS AND RADII 0.07 - 0.13	SCALE: .75X		SHEET 1 OF 1	